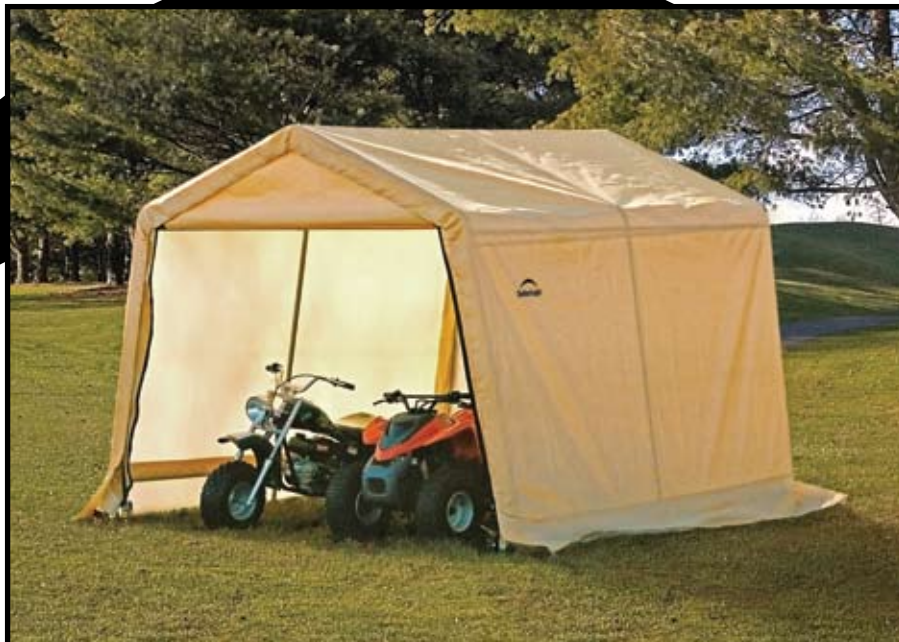


Shed & Storage Series

Shed-in-a-Box® -Tan 10 x 10 x 8ft. / 3 x 3 x 2,4 m

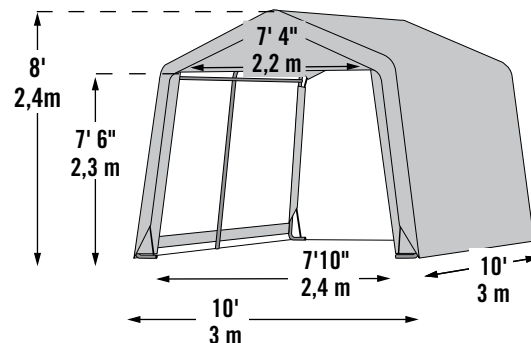


Best Selling 10' x 10' Shed - now in Tan

- The Shed-in-a-Box® is designed for easy set-up, portability and value. Built with a high grade steel, every frame tube and connector goes through a proprietary 13 step Rhino Shield surface preparation process.
- 1-3/8" / 3,5 cm all steel frame with compact 3-rib design, bonded with Dupont™ thermoset baked on powder-coated finish prevents chipping, peeling, rust and corrosion.
- Patent Pending ShelterLock™ stabilizers ensure rock solid stability. Delivers a stable, more durable shelter.
- Triple-layer, heat bonded, rip-stop, waterproof, enhanced weave polyethylene cover. UV-treated inside and out with added fade blockers, anti-aging, anti-fungal agents resulting in a cover that withstands the elements.
- High profile white interior creates enhanced illumination.
- Rugged Ratchet Tite™ Tensioning System provides simple installation while keeping cover tight to frame.



Great For: Motorcycles, ATVs, Lawn/Garden, Tractors, Snowmobiles, Bulk Storage



ShelterLogic®

We've Got You Covered.™
North America's #1 Shelter Manufacturer.

Model #70733

Package Includes:

- (1) 10 x 10 x 8 ft. / 3 x 3 x 2,4 m shed with 1-3/8" / 3,5 cm diameter all steel frame
- (1) Tan fitted cover
- (1) Double zippered front door
- (1) Solid rear door panel
- (6) ShelterLock™ Stabilizing Blocks
- (4) 15" / 38,1 cm Auger anchors
- Steel foot plates
- Easy step-by-step instructions

Packaging Specifications:

- Container qty: 484
- Total box weight: 89.2 lbs. / 40,4 kg
- Box dimensions: 44.5 x 21.1 x 7.9 in. 113 x 53,5 x 20 cm

